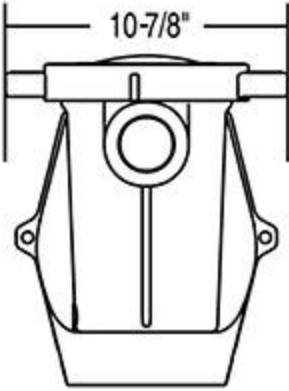
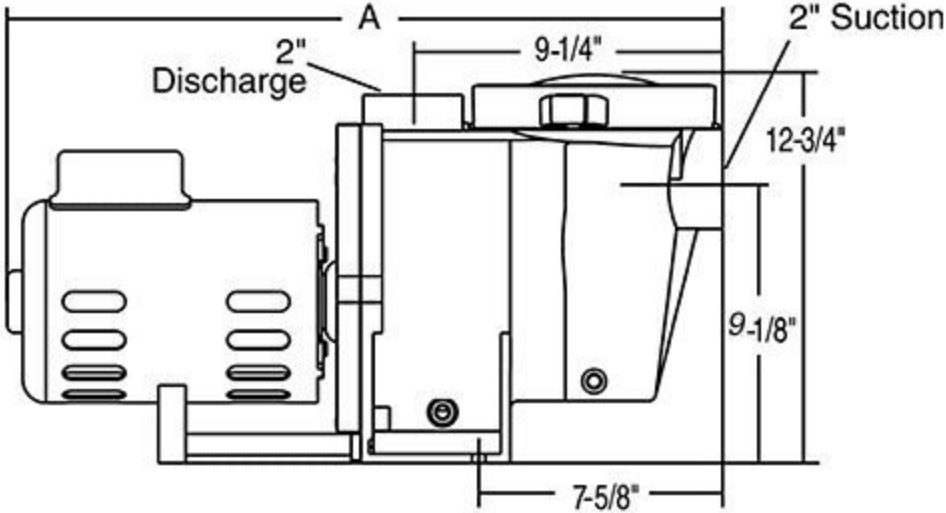


# Pentair WhisperFlo Dimensions & Pump Curve



**A - varying length:**

- 1/2 & 3/4 hp = 24.469"
- 1 hp = 24.72"
- 1-1/2 hp = 25.22"
- 2 & 3 hp = 25.72"

# PERFORMANCE CURVES

